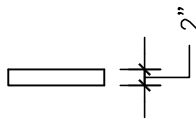
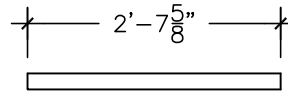


TOP VIEW



END VIEW



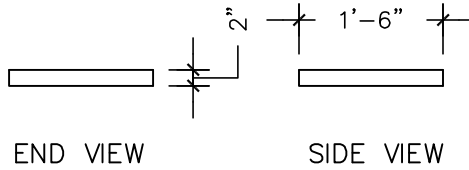
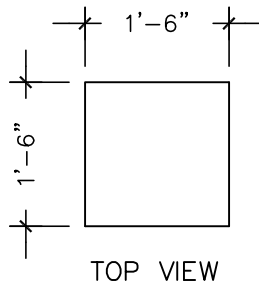
SIDE VIEW

PV-12-32X2



**ARCHITECTURAL
PRECAST
DESIGNS, LLC**

*2818 east illini street
phoenix, arizona 85040
602.323.2515 (o)
602.323.2558 (f)*

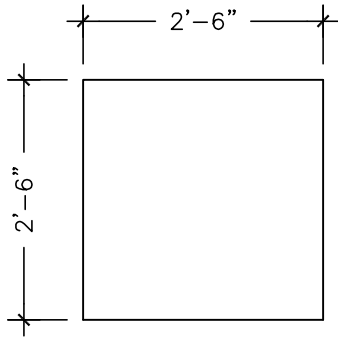


PV-18-18X2

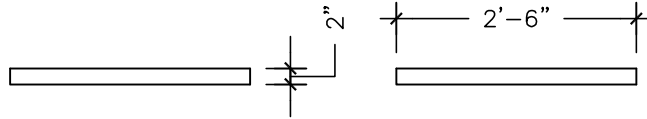


**ARCHITECTURAL
PRECAST
DESIGNS, LLC**

*2818 east illini street
phoenix, arizona 85040
602.323.2515 (o)
602.323.2558 (f)*



TOP VIEW



END VIEW

SIDE VIEW

PV-30-30X2



**ARCHITECTURAL
PRECAST
DESIGNS, LLC**

*2818 east illini street
phoenix, arizona 85040
602.323.2515 (o)
602.323.2558 (f)*